

SCIFIT ISO7000R Recumbent Bike

ISO7010R-INT

Parts Manual

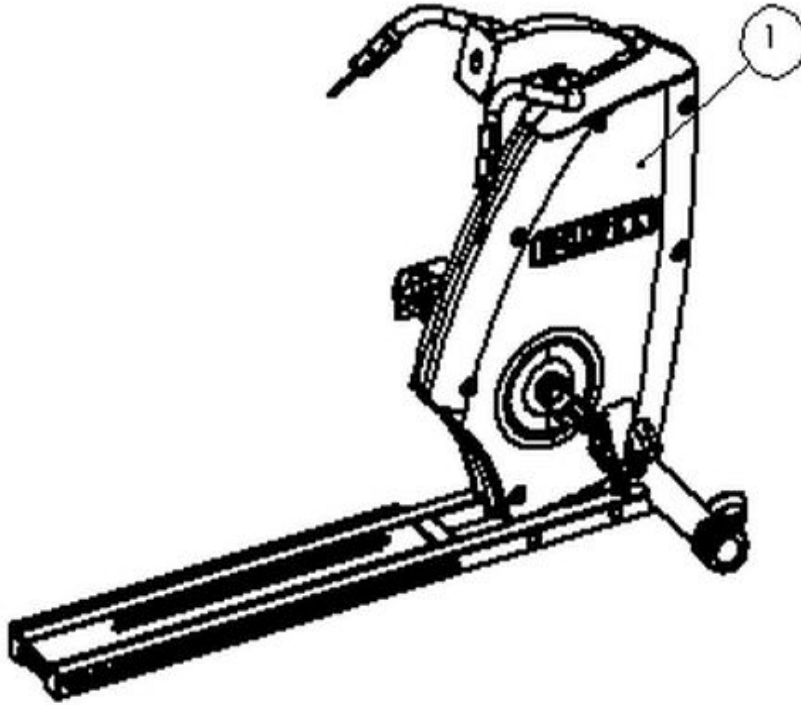
11/4/2020 6:19:04 AM



Table of Contents

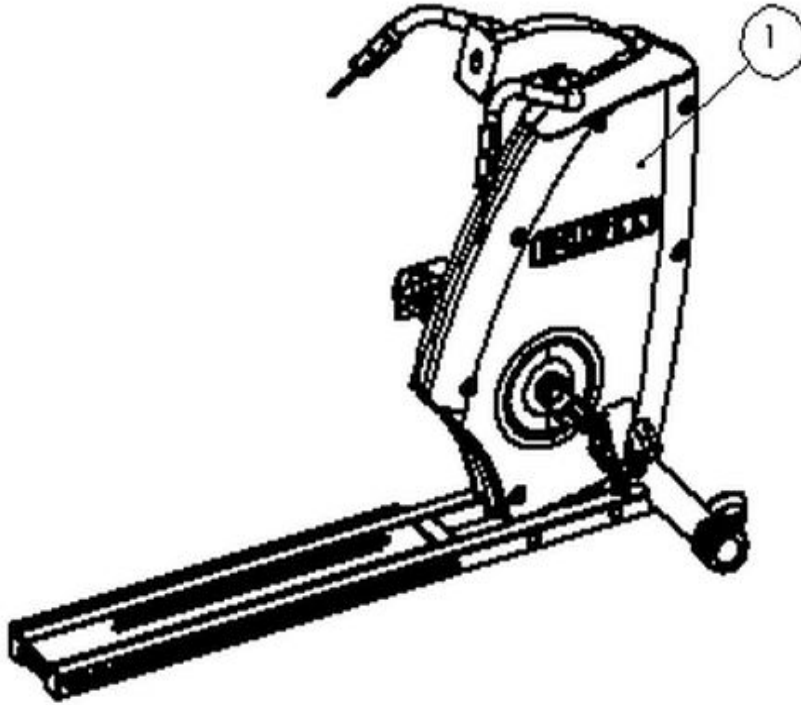
ISO Recumbent Covers Charcoal.....	3
ISO Recumbent Covers White.....	4
ISO Recumbent Handlebars.....	5
ISO Recumbent Hardware Electronics.....	6
ISO Recumbent Pedals.....	7
ISO Recumbent Seat Base 573-000001 to 573-000151.....	8
ISO Recumbent Seat Base 573-000152 to CURRENT.....	9
ISO Recumbent Wiring Diagram Post 10-2015.....	10
ISO Recumbent Wiring Diagram Pre 10-2015.....	11
ISO Rec Fixed Seat Assembly Until 11-2014.....	12
ISO Rec Fixed Seat Base Until 11-2014.....	13
ISO7000 Recumbent Drive Assembly.....	14
Seat, Standard.....	15

ISO Recumbent Covers Charcoal



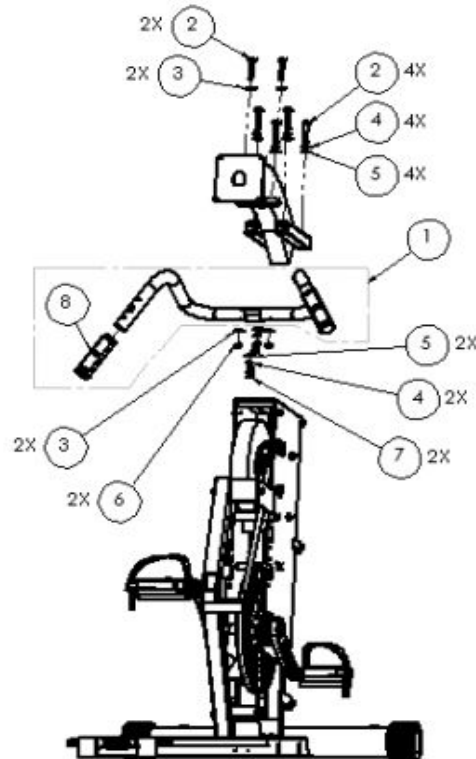
Ref #	Part Number	Qty	Description
1	S4947	1	Assy, RH Charcoal CVR W/Decal ISO Rec

ISO Recumbent Covers White



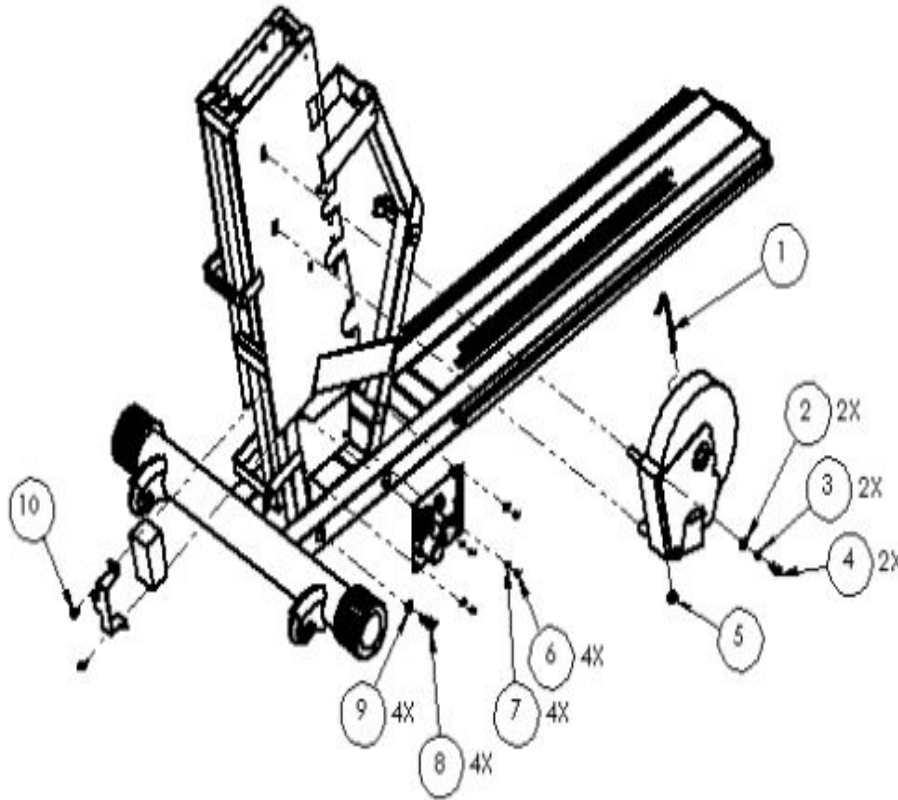
Ref #	Part Number	Qty	Description
1	S6350	1	Kit R/L CVRs W/Decal White ISO Rec.

ISO Recumbent Handlebars



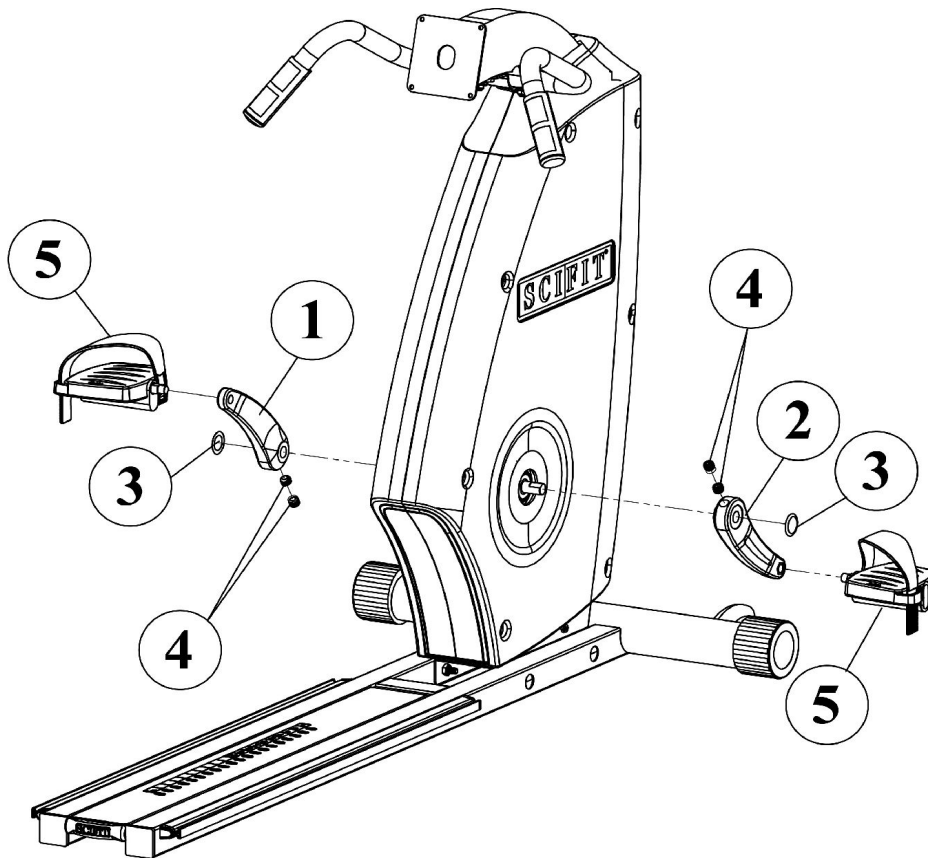
Ref #	Part Number	Qty	Description
1	A4896-CH	1	Assy Handlebar W/CHR Charcoal ISO Rec.
2	13111	6	Screw 3/8-16 x 2" Hex Cap Zinc
3	11137920	4	WSH:WASHER,CURVED,3/8 ID X 3/4 OD X .06
4	33622	6	Washer Lock 3/8 Zinc
5	33082	6	3/8" Zinc F/W
6	37026	2	Nut 3/8-16 Nylon Insert Zinc
7	110120344	2	3/8-16 X 1" HCS
8	P4729	1	Assy, CHR W/cable,1000mm, ISO

ISO Recumbent Hardware Electronics



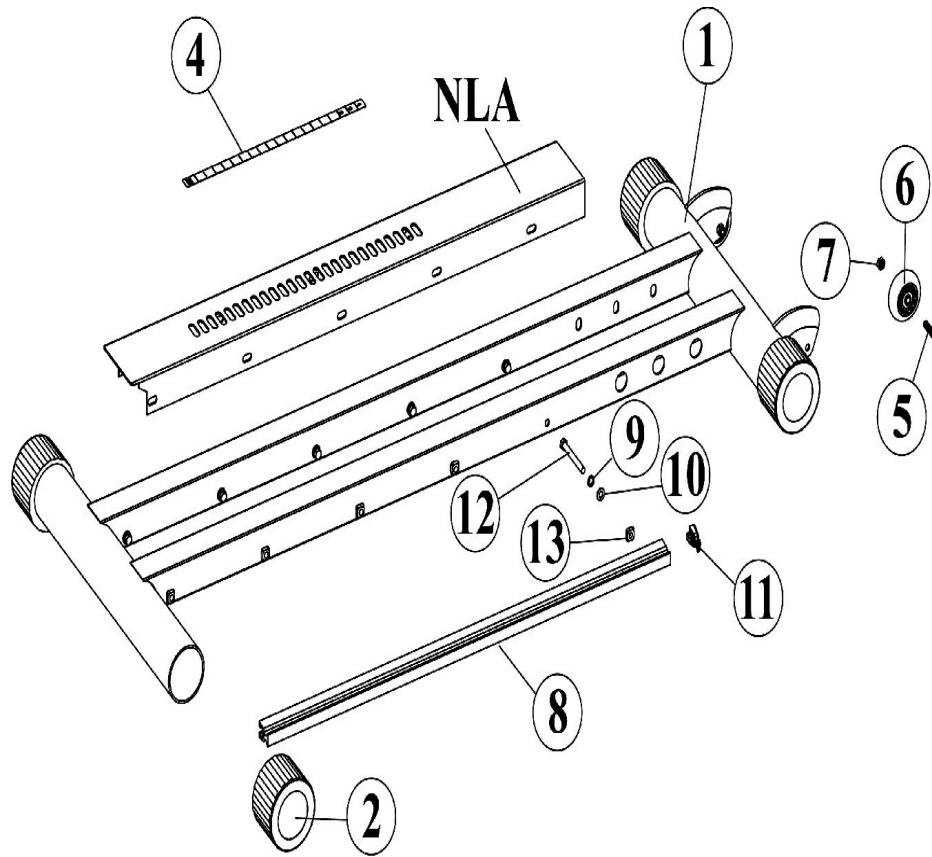
Ref #	Part Number	Qty	Description
1	P4101	1	Brake Tensioner W/Nut ISO7000R
2	38403	2	Washer 6mm x 18mm x 1.6mm Fender
3	40381	2	M6 Zinc Split L/W
4	0135918	2	SCR:SCREW, M6-1 X 20MM, SCHS
5	40163	1	M8-1.25 DIN 985 Zinc Plated Nylon Insert Lock Nut
6	91188	4	Screw M3-0.5 x 8mm Phillips PHD
7	33733	4	#6 Zinc Finish Ext Tooth L/W
8	23307	4	SCR:SCREW, 3/8"-16 X 1-1/4" BLK SCS
9	33622	4	Washer Lock 3/8 Zinc
10	31810	1	#10-16 x 1/2" Zinc Self Tap

ISO Recumbent Pedals



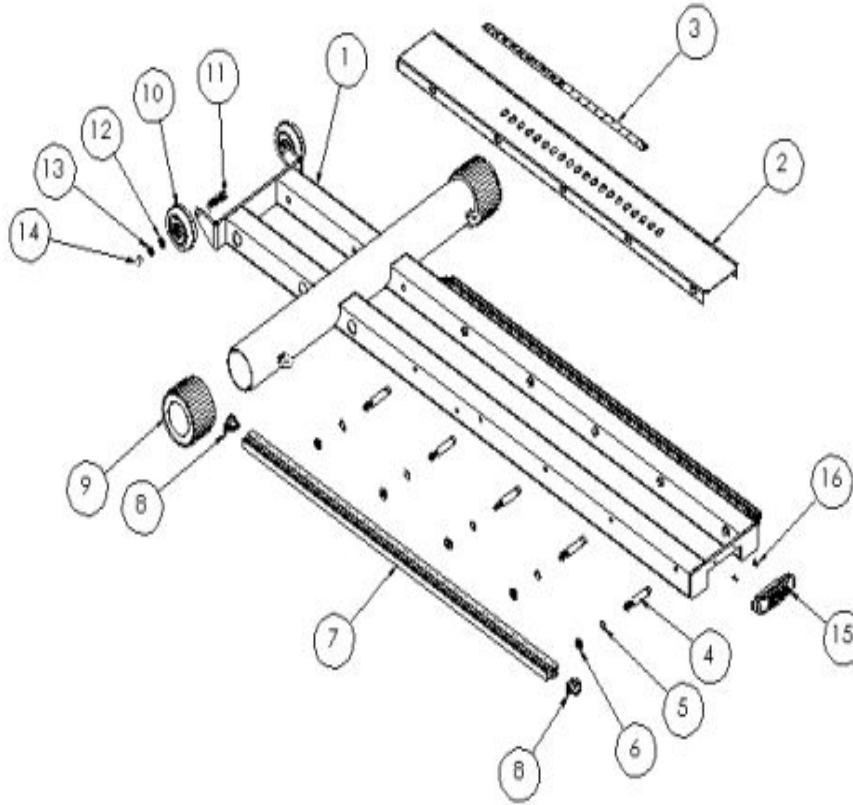
Ref #	Part Number	Qty	Description
1	A3157-CH	1	Crank Cast Left 175MM Charcoal
2	A3158-CH	1	Crank Cast RH 175MM Charcoal
3	P3460	2	Decal 1.5" Dia. Domed Circle
4	P3110	2	Screw Set Socket Point Flat 5/8-18 x .5
5	P2275	1	Pedal Bike Pair 9/16"-20

**ISO Recumbent Seat Base 573-000001 to
573-000151**



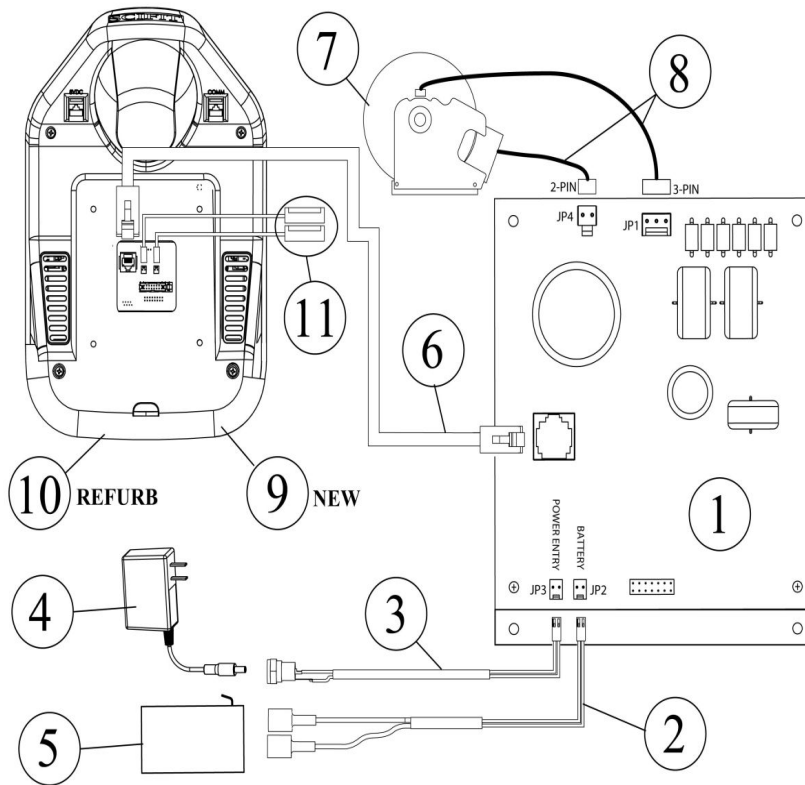
Ref #	Part Number	Qty	Description
1	A4557-CH	1	Frame, Base, Charcoal, ISO Rec
2	A1890	4	Cap Base 3" Adj. 65 Durometer
4	P1983	1	Decal Number .75" Spacing 1-20
5	73783	2	5/16"-18 x 1-3/4" Stnlss BSCS
6	P4455	2	WHEEL TRANSPORT ISO BIKES
7	37023	2	5/16"-18 Zinc Finish NTE Grade 2 Jam Nylon Insert Lock Nut
8	A1222	2	Extrusion Rail 34" Recumben
9	40383	10	M8 DIN 127 Zinc Plated Split Lock Washer
10	40357	10	M8 Zinc F/W
11	A5215	2	Endcap Cover Extrusion Rail
12	13064	1	5/16"-18 x 2-3/4" Zinc HCS
103	37622	1	5/16"-18 Zinc Square Nut

ISO Recumbent Seat Base 573-000152 to CURRENT



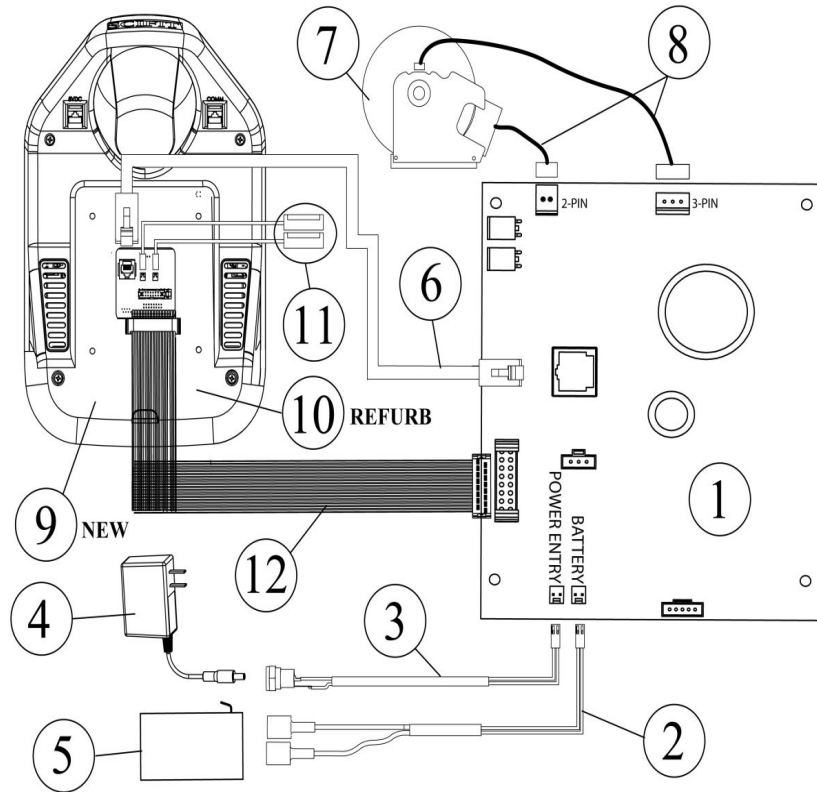
Ref #	Part Number	Qty	Description
1	C3240-CH	1	Frame Base PRO Charcoal
2	A3241	1	Track Adj. SS PRO Monocoque
3	P1982	1	Decal Number 1" Spacing 1- 20
4	13064	10	5/16"-18 x 2-3/4" Zinc HCS
5	33712	10	5/16" Zinc Internal Tooth L/W
6	37622	10	5/16"-18 Zinc Square Nut
7	A3299	2	Extrusion Rail Roller 37.5" PR
8	A5215	4	Endcap Cover Extrusion Rail
9	A1890	2	Cap Base 3" Adj. 65 Durometer
10	P2144	2	Wheel Front PRO II
11	73783	2	5/16"-18 x 1-3/4" Stnlss BSCS
12	33080	2	5/16" Zinc F/W
13	33892	2	5/16" Yellow Zinc Split L/W
14	70961	2	5/16"-18 Stnlss Stl Acorn Nut
15	A5449	1	HANDLE LIFT STEP 1
16	0142859	2	KIT:6 X 5/8 ZINC PHLLPS PH PLSTC S

ISO Recumbent Wiring Diagram Post 10-2015



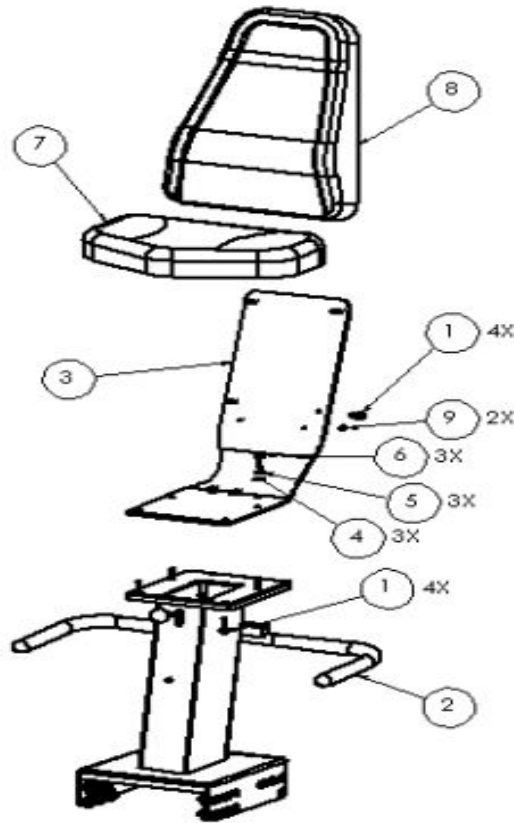
Ref #	Part Number	Qty	Description
1	A5361	1	Kit A5005 W/Mounting Bracket
2	P4733	1	Cable Batt Intelli-Fit/Med PRO
3	P3307	1	Cable Power Entry PRO
4	P4861	1	SCIFIT POWER SUPPLY AC ADAPTER WALL PACK 18V
5	P1564	1	Battery Rechargeable Cordless
6	P4742	1	Cable Comm 63" Intelli ISO1000R/7000R & SXT
7	S1906	1	Kit Brake w/60mm Pulley Bikes
8	S4454	1	CABLES IND. BRAKE 3 & 2 PIN
9	A6627	1	Assy Console Rotary CHR OS
10	A6627R	1	NC ASSY, CNSL REFURB, TS, ROTARY CHR
11	P4729	2	Assy, CHR W/cable,1000mm, ISO

ISO Recumbent Wiring Diagram Pre 10-2015



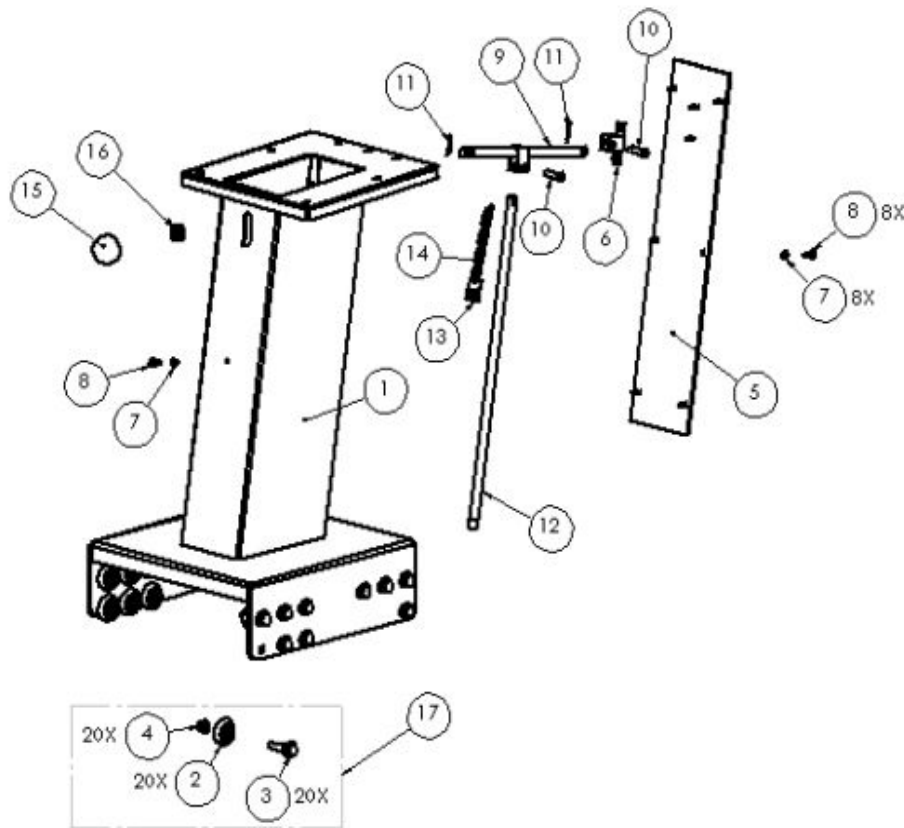
Ref #	Part Number	Qty	Description
1	S6189	1	Kit A5361 W/Tactile Firm PRE 5
2	P4733	1	Cable Batt Intelli-Fit/Med PRO
3	P3307	1	Cable Power Entry PRO
4	P4861	1	SCIFIT POWER SUPPLY AC ADAPTER WALL PACK 18V
5	P1564	1	Battery Rechargeable Cordless
6	P4742	1	Cable Comm 63" Intelli ISO1000R/7000R & SXT
7	S1906	1	Kit Brake w/60mm Pulley Bikes
8	S4454	1	CABLES IND. BRAKE 3 & 2 PIN
9	S5197	1	Kit A4605/Strain Relief.Combo
10	S5198R	1	Kit A4605R/Strain Relief.Combo
11	P4729	2	Assy, CHR W/cable,1000mm, ISO
12	A5190	1	Cable Assy Display 79" V2

ISO Rec Fixed Seat Assembly Until 11-2014



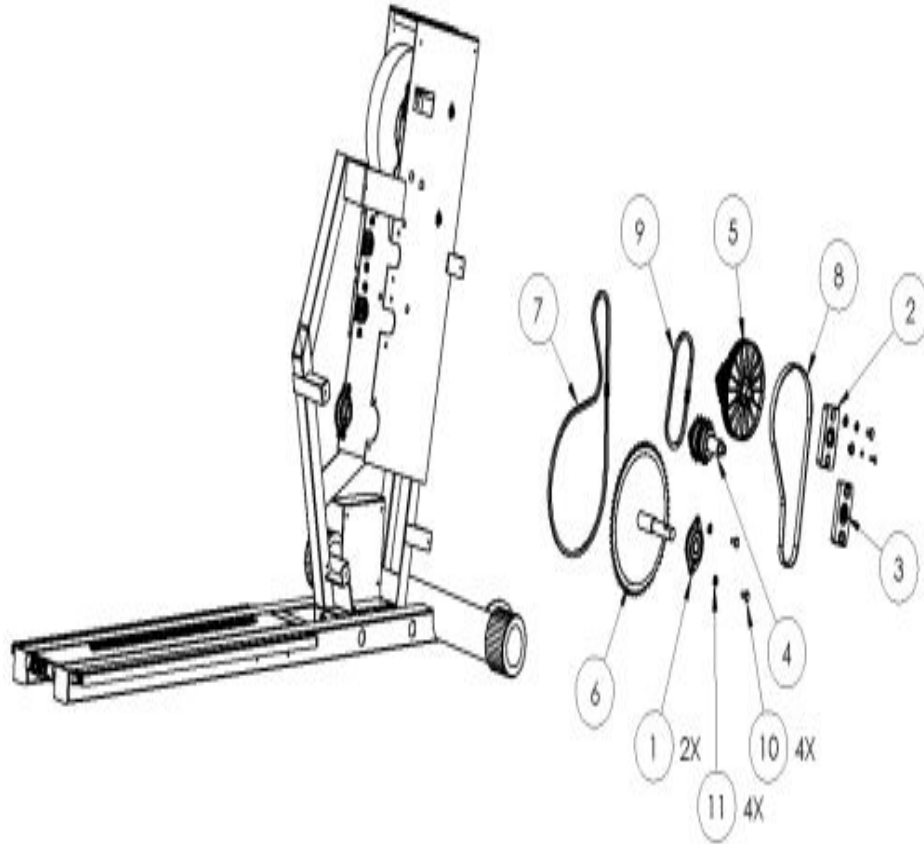
Ref #	Part Number	Qty	Description
1	19919	8	BOLT 5/16-18 x 1.25 SERRATED HEX
2	A1144	1	ASSY HANDLEBAR SEAT CHARCOAL
3	A3316	1	Seat Plate Mount High Back
4	33080	3	5/16" Zinc F/W
5	33892	3	5/16" Yellow Zinc Split L/W
6	13055	3	SCREW 5/16-18 x 1 HEX CAP
7	P4434	1	Pad Seat Bottom V2
8	P4436	1	PAD SUPPORT HIGH BACK V2
9	P4327	2	PLUG HOLE .25"
-	S66493	1	Kit ISO Rec Seat Assy Fixed C

ISO Rec Fixed Seat Base Until 11-2014



Ref #	Part Number	Qty	Description
1	C1143-CH	1	ASSY WLDMT SEATBASE ISO REC CHARCOAL
2	P1038	20	Roller Urethane 1-1/4 Dia. X 3
3	19919	20	BOLT 5/16-18 x 1.25 SERRATED HEX
4	37021	20	NUT NYLOCK 5/16-18
5	A3861-CH	1	COVER SEATPOST ISOR CHARCOAL
6	A1115	1	Bracket Pos. Adj. Lev
7	33614	1	#10 Zinc Split L/W
8	29049	1	SCREW 10-32 x .5 PHIL. PAN HD
9	A1119-CH	1	Lever Charcoal Adj. Pos. S
10	66026	2	PIN CLEVIS 1x .25
11	65034	2	PIN COTTER 3/32 x 3/4
12	A1146	1	Rod Lock Recumbent
13	A1120	1	Bracket Spring
14	P1856	1	SPRING LOOP CLOSED 3-1/8" SEAT FIXED
15	P1125	9	Knob 7/16-20 Round
16	36258	9	NUT JAM 7/16-20 HEX
17	S6396	1	Kit, HW/Rollers, Seat Base,NSS

ISO7000 Recumbent Drive Assembly



Ref #	Part Number	Qty	Description
1	P1096	2	Bearing Spindle Drive SB204-12
2	S4747	1	Kit (1 pr) Bearing Mount Jac
3	S4748	1	Kit (1pr.) Bearing Mount Bi-
4	S4660	1	Kit ISO7000/7000R Bi-Direction
5	S4661	1	Kit ISO7000/7000R Jack Shaft
6	A5387	1	Assy Spindle Bi-Direc Post2008
7	A3119	1	Kit Chain Long #40 86P ISO7000
8	P4376	1	Belt Poly-V 6-Rib 30" 300J
9	A3120	1	Kit #40 Chain Short 32P ISO RE
10	13052	4	5/16"-18 x 5/8" Zinc HCS
11	33892	4	5/16" Yellow Zinc Split L/W

Seat, Standard



PLEASE SEE: STND-SEAT-01

Ref #	Part Number	Qty	Description
1	STND-SEAT-01	1	SCIFIT Standard Seat

